

BUTTERFLY VALVES



TORONTO - MONTREAL - EDMONTON - HOUSTON



BUCHANAN RUBBER LTD

Quality Product, Competitive Prices, Outstanding Service

BUTTERFLY VALVES

Butterfly valves are ideal for throttling or shutting off the flow of corrosive or non-corrosive gases, liquids, semi-liquids and powdered solids. Butterfly valves can be installed on tank vessels or in pipelines. Primary industries include: petroleum, chemical, food, pharmaceutical, textile, paper, hydroelectric, ship building, water works, metallurgy and energy.

Butterfly Valves:

- are easy to install and maintain.
- offer simple and compact construction, quick 90 degrees on-off operation
- can withstand tens of thousands of open/close operations providing long service life
- offer bubble-tight sealing with no leakage under pressure
- are available for a variety of mediums and applications

Available Materials

Disc Material	
Type of Material	Material Standard
Ductile Iron (Nickel Plated or Nylon Coated)	ASTM A536 60-40-18 DI
Stainless Steel	SS410, SS304, SS316
Aluminum	Al-Bronze

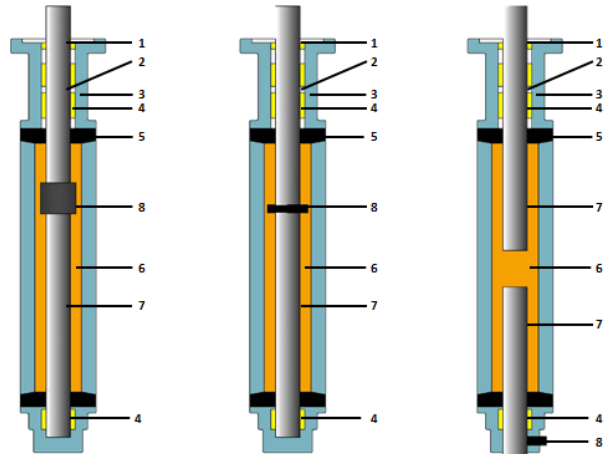
Stem Material	
Type of Material	Material Standard
Stainless Steel	SS410, SS304, SS316
Cast Steel	WCB (chrome plated)

Seat Material		
Material	Temperature Ratio	
	°C	°F
Buna-N(NBR)	-12 to 85	10 to 185
Buna-N(Abrasive Resistant)	-12 to 85	10 to 185
Neoprene	-7 to 93	20 to 200
EPDM	-35 to 135	-30 to 275
EPDM (Food Grade)	-35 to -110	-30 to 230
Hypalon	-32 to 135	0 to -275
Viton	-12 to 135	10 to 275
PTFE	4 to 121	40 to 250

Body Material	
Type of Material	Material Standard
Cast Iron	GG20 GG25, ASTM A126 Class B
Ductile Iron	GGG40, ASTM A536 60-40-18
Cast Bronze	ASTM B584 G90500
Stainless Steel	CF8M, CF8, ZG1Cr18Ni9Ti
Carbon Steel	WCB

Butterfly Valve Features

Item NO.	Name of Part	Performance Feature
1	Check Ring	Shaft blow out prevention
2	O-ring	Prevention of outside dust
3	Body	Precision Cast Iron Body or Ductile Iron body
4	Bush	Provides positive stem alignment and actuator support
5	Seat	Bonded to or inserted in body
6	Disc	Double-tight shut-off, min. torque and longer seat life
7	Stem	Positive disc positioning and blow out proof stem design
8	Splinted (Tapered pins)	Positive shaft to disc connection for easier field repair as well as reducing potential for leaks



www.buchananrubber.com

TORONTO - MONTREAL - EDMONTON - HOUSTON

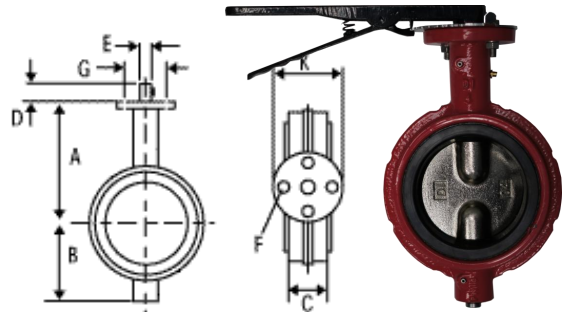
BUTTERFLY VALVES

BFVNGH/BFVGH Specifications

Part	Information	Part	Information
Body	Ductile Iron ASTM A536 65-45-12	Face to Face	API 609
Disc	Ductile Iron (Nickel Plating), ASTM A536 65-45-12	Flange Drilling Standard	ANSI B16.5 150LB
Shaft	SS410 (Split Shaft)	Top Flange Standard	ISO5211
Seat	BUNA-N (NBR) or VITON (Hard Back-up Seat)	Color	Red/Blue Fusion bonded Epoxy Powder Coated.
Working Pressure	1600kpa (200 PSI)	Actuator	Cast Iron Hand Lever FBE coated
Working Temperature	-12°C to 85°C NBR	Spring Pin	65MN
Working Temperature	-10°C to 180°C VITON	Fasteners	All bolts, nuts and washer are SS304

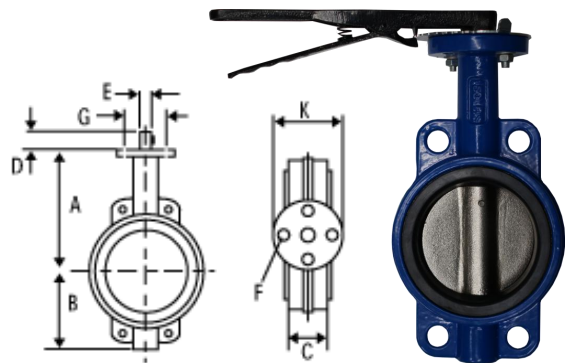
BFVNGH (butterfly valve no guide holes) is a wafer butterfly valve sometimes referred to as the industry valve. It has a soft/back-up seat and double D or TD type disc without pin. This valve can be mounted with handles, manual gear operators and electric or pneumatic actuators. Flange Drilling is ANSI125/150, ASA125/150 table D/E. Valve tested: API598. Safe working pressure: 200 PSI

Part#	Size	A (in)	B (in)	C (in)	D (in)	E (in)	F (in)	G (in)	K (in)
BFVNGH-200-NBR	2	3.94	3.15	1.69	1.26	0.50	0.26	1.97	2.56
BFVNGH-300-NBR	3	4.88	3.74	1.81	1.26	0.50	0.26	1.97	2.56
BFVNGH-400-NBR	4	5.98	4.49	2.05	1.26	0.62	0.26	2.76	3.54



BFVGH (butterfly valve guide holes) is wafer butterfly valve. It is manufactured with a back-up seat and double D type disc. The valve body features four alignment holes. This valve can be mounted with handles, manual gear operators and electric or pneumatic actuators. Flange drilling according to: ANSI125/150, ASA125/150 Table D/E. Valve tested: API598 Safe working pressure: 200 PSI

Part#	Size	A (in)	B (in)	C (in)	D (in)	E (in)	F (in)	G (in)	K (in)
BFVGH-200-NBR	2	6.34	3.15	1.69	1.26	0.50	0.26	1.97	2.56
BFVGH-300-NBR	3	7.13	3.74	1.81	1.26	0.50	0.26	1.97	2.56
BFVGH-400-NBR	4	7.87	4.49	2.05	1.26	0.62	0.41	2.76	3.54
BFVGH-500-NBR	5	8.39	5.00	2.20	1.26	0.74	0.41	2.76	3.54
BFVGH-600-NBR	6	8.90	5.47	2.20	1.26	0.74	0.41	2.76	3.54
BFVGH-800-NBR	8	10.24	6.89	2.36	1.57	0.87	0.56	4.02	4.92
BFVGH-1000-NBR	10	11.50	7.99	2.68	1.57	1.12	0.56	4.02	4.92
BFVGH-1200-NBR	12	13.27	9.53	3.07	1.57	1.24	0.56	4.02	4.92



www.buchananrubber.com

TORONTO - MONTREAL - EDMONTON - HOUSTON

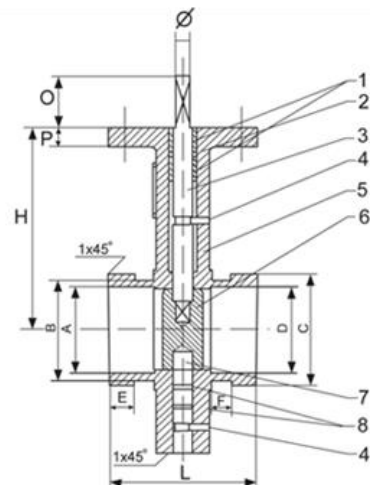
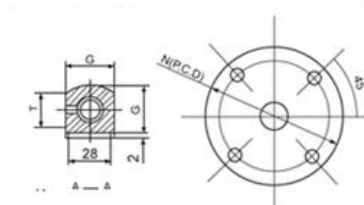
BUTTERFLY VALVES

BFVGE Specifications

Item	Description	Material	Item	Description	Material
1	Bushing	PTFE	5	Body	CI
2	O-Ring	NBR	6	Disc	EPDM Coated DI
3	Upper Spindle	410SS	7	Lower Spindle	410SS
4	Set Screw	CS M6	8	O-Ring	NBR

BFVGE (Butterfly Valve Grooved End) is a grooved end butterfly valve PN16/Class 150. It complies with EN593/BS5155/MSS SP-67

Part#	Size	A(in)	B(in)	C(in)	D(in)	E(in)	F(in)	G(in)	H(in)	O(in)	L(in)	N(in)	P(in)
BFVGE-200	2	2.01	2.37	2.64	1.94	0.63	0.43	1.26	4.76	3.54	3.54	2.76	0.47
BFVGE-300	3	2.99	3.50	3.82	2.95	0.63	0.43	1.26	5.18	3.54	3.82	2.76	0.47
BFVGE-400	4	3.98	4.49	4.82	3.94	0.63	0.43	1.26	5.85	3.54	4.57	2.76	0.55
BFVGE-600	6	5.91	6.50	6.89	5.83	0.63	0.43	1.42	7.20	3.54	5.28	2.76	0.55



www.buchananrubber.com

TORONTO - MONTREAL - EDMONTON - HOUSTON

50 Fasken
Dr,
Toronto, ON
M9W1K5

9555 Henri
Bourassa W,
St Laurent, QC
H4S1S7

9547-12Ave
SW,
Edmonton, AB
T6X0C3

5731 Harvey
Wilson Dr,
Houston, TX
77020